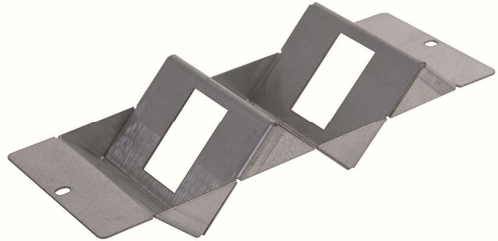


4 Comp Wave Plate 2 x RJ45 Product Data Sheet

Product Range	UP717	<p>Image for reference only</p> 
Description	4 Comp Wave Plate 4 x RJ45	
Key Features	<p>Suitable for 2 off LJ6 / RJ45 Modules.</p> <p>Designed for use in MT 4 compartment Under floor products.</p> <p>Suitable for CAT6 and CAT7 when used with MT floor box</p>	
Dimensions	69.3mm x 185mm x 0.9mm	
Material(s)	Plate: Galvanised steel	
Compliance / Standards(s)	BS7671:2018	
Packaging	Recyclable	

Sustainability