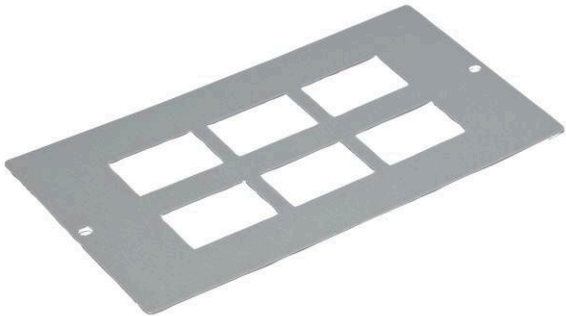


### 3 Comp Data/Voice Plate 6xRJ45 Product Data Sheet

Product Range	UP612	<p>Image for reference only</p> 
Description	3 Comp Data/Voice Plate 6xRJ45 (LJ6) apertures	
Key Features	<p>Suitable for 6 off LJ6 / RJ45 Modules Pre-tapped M3.5 mounting holes</p> <p>Designed for use in MT 3 compartment Under floor products.</p> <p>Supplied with protective film on show face to prevent scratching during installation.</p>	
Dimensions	95mm x 185mm x 0.9mm gauge	
Material(s)	Plate: Galvanised steel	
Compliance / Standards(s)	BS7671:2018	
Packaging	Recyclable	

Sustainability