



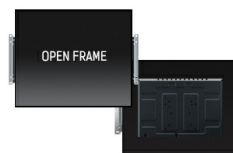
### 17" open frame 10pt touch monitor

The ProLite TF1734MC 17" multi touch screen is based on projective capacitive technology which thanks to a glass overlay covering the screen guarantees high durability, scratch-resistance and perfect picture performance. The touch function remains unaffected even if the glass is scratched. The screen is IP65 rated which means it is dust and water resistant. For ease of integration, the TF1734MC can be equipped with optional external mounting brackets ([OMK1-1](#)) making it an ideal solution for kiosk integrators and Instore Retail.



#### Touch technology - Capacitive

This technology uses a sensor-grid of micro-fine wires integrated into the glass that covers the screen. Touch is detected because electrical characteristics of the sensor grid change when human finger is placed on the glass. Thanks to the glass overlay this technology is highly durable, and the touch function remains unaffected even if the glass is scratched. It offers perfect picture performance and will work with human finger (also latex gloved) and stylus-pen.



#### Open frame brackets

This open frame monitor can be equipped with optional external mounting brackets. It guarantees easy installation and makes it an ideal solution for kiosk integrators and In-store Retail.

## 01 DISPLAY CHARACTERISTICS

|                         |   |
|-------------------------|---|
| Design                  | Open Frame  |
| Diagonal                | 17", 43cm   |
| Panel                   | TN LED  |
| Native resolution       | 1280 x 1024 (1.3 megapixel)   |
| Aspect ratio            | 5:4   |
| Brightness              | 350 cd/m <sup>2</sup> typical   |
| Brightness              | 315 cd/m <sup>2</sup> with touch                                      |
| Static contrast         | 1000:1 with touch   |
| Light transmittance     | 90%   |
| Response time (GTG)     | 5ms   |
| Viewing zone            | horizontal/vertical: 170°/160°, right/left: 85°/85°, up/down: 80°/80° |
| Colour support          | 16.7mIn 8bit  |
| Horizontal Sync         | 31.4 - 80kHz  |
| Viewable area W x H     | 338 x 270.5mm, 13.3 x 10.6"   |
| Pixel pitch             | 0.264mm   |
| Bezel colour and finish | black, matte  |

## 02 TOUCH

|                             |   |
|-----------------------------|---|
| Touch technology            | projective capacitive   |
| Touch points                | 10 (HID, only with supported OS)  |
| Touch method                | stylus, finger, glove (latex)   |
| Touch interface             | USB   |
| Supported operating systems | All iiyama monitors are Plug & Play and compatible with Windows and Linux. For details regarding the supported OS for the touch models, please refer to the driver instruction file available in the downloads section. |

## 03 INTERFACES / CONNECTORS / CONTROLS

|                      |                           |
|----------------------|---------------------------|
| Analog signal input  | VGA x1                    |
| Digital signal input | HDMI x1<br>DisplayPort x1 |
| HDCP                 | yes                       |

## 04 FEATURES

|                           |                          |
|---------------------------|--------------------------|
| Extra                     | anti-fingerprint coating |
| Water and dust protection | IP65 (front)             |
| OSD key lock              | yes                      |

## 05 GENERAL

|                 |  |
|-----------------|--|
| OSD languages   | EN, DE, FR, ES, IT, CN, JP   |
| Control buttons | Menu, Scroll up/ Brightness, Scroll down/ Contrast, Select, Power  |
| User controls   | picture (contrast, brightness, H.position, V.position, phase, clock, auto adjust), advanced (colour temp., sharpness), OSD (timeout, position, H.position, V.position), option (reset, language, source select, display mode, factory) |
| Plug&Play       | DDC2B  |

## 06 MECHANICAL

|               |                              |
|---------------|------------------------------|
| Orientation   | landscape, portrait, face-up |
| VESA mounting | 100 x 100mm                  |

## 07 ACCESSORIES INCLUDED

|             |  |
|-------------|--|
| Cables      | power (1.8m), USB (1.8m), HDMI (1.8m), DP (1.8m) |
| Guides      | quick start guide, safety guide                  |
| Other       | AC adapter, Touch Panel Driver Disk (CD-ROM)     |
| Cable cover | yes  |

## 08 POWER MANAGEMENT

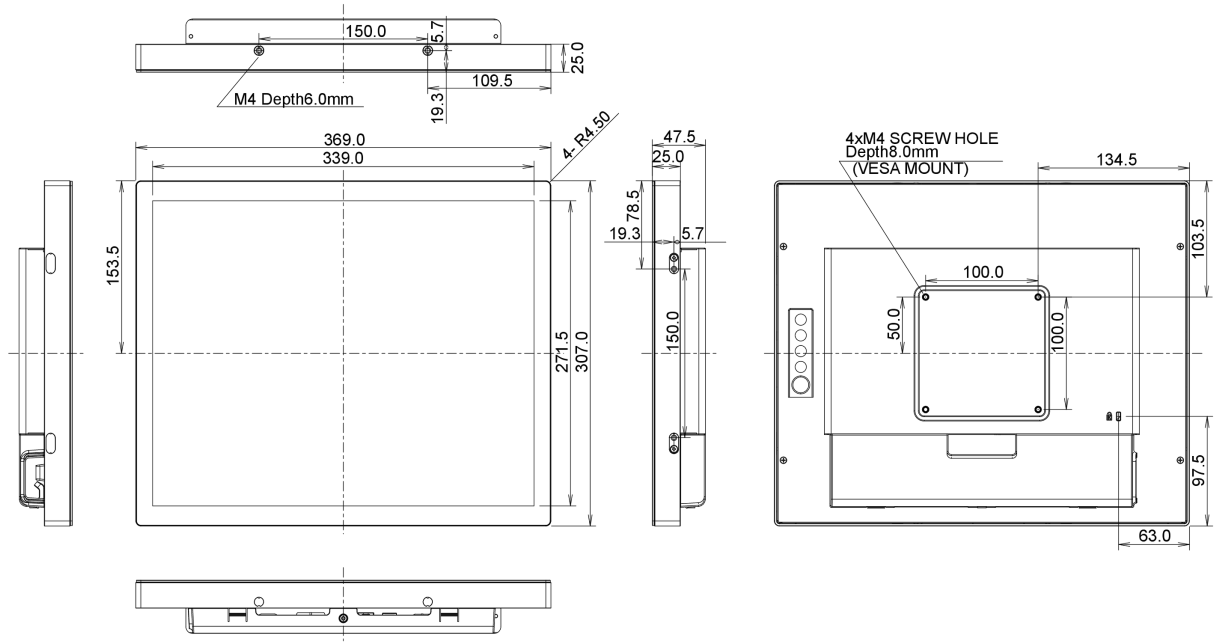
|                   |                                       |
|-------------------|---------------------------------------|
| Power supply unit | external                              |
| Power supply      | DC 12 V                               |
| Power usage       | 13W typical, 2W stand by, 2W off mode |

## 09 SUSTAINABILITY

|   |   |
|---|---|
| Regulations   | CB, CE, TÜV-Bauart, RoHS support, ErP, WEEE, CU, cULus, REACH |
| Energy efficiency class (Regulation (EU) 2017/1369) | E   |
| Other   | REACH SVHC above 0.1%: Lead                                   |

## 10 DIMENSIONS / WEIGHT

|                              |                    |
|------------------------------|--------------------|
| Product dimensions W x H x D | 369 x 307 x 47.5mm |
| Weight (without box)         | 3.6kg              |
| EAN code                     | 4948570116836      |



All trademarks and registered trademarks acknowledged. E & O E. Specification subject to change without notice. All LCD's comply with ISO-9241-307:2008 in connection with pixel defects.

© IIYAMA CORPORATION. ALL RIGHTS RESERVED