

SFP-H10GB-CU2M-AO

Cisco® SFP-H10GB-CU2M Compatible TAA Compliant 10GBase-CU SFP+ Direct Attach Cable (Passive Twinax, 2m)

Features

- Support for multi-gigabit data rates up to 10 Gb/s
- Data rates backward compatible to 1 Gb/s
- Hot-Pluggable SFP 20PIN footprint
- Improved Pluggable Form Factor (IPF) compliant for enhanced EMI/EMC performance
- Compatible to SFP+ MSA
- Compatible to SFF-8431, SFF-8432
- Temperature Range: 0~70°C
- RoHS Compliant



Application

- High Capacity I/O in Storage Area Networks, Network Attached Storage, and Storage Servers
- Switched fabric I/O such as ultra-high bandwidth switches and routers
- Data center cabling infrastructure
- High density connections between networking equipment

Product Description

This is a Cisco® SFP-H10GB-CU2M compatible 10GBase-CU SFP+ to SFP+ direct attach cable that operates over passive copper with a maximum reach of 2.0m (6.6ft). It has been programmed, uniquely serialized, and data-traffic and application tested to ensure it is 100% compliant and functional. This direct attach cable is TAA (Trade Agreements Act) compliant, and is built to comply with MSA (Multi-Source Agreement) standards. We stand behind the quality of our products and proudly offer a limited lifetime warranty.

AddOn's direct attach cables are RoHS compliant and lead free.

TAA refers to the Trade Agreements Act (19 U.S.C. & 2501-2581), which is intended to foster fair and open international trade. TAA requires that the U.S. Government may acquire only "U.S. – made or designated country end products."



Recommended Operating conditions

| Parameter | Symbol | Min | Typ. | Max. | Unit |
|----------------------------|--------|-----|------|------|------|
| Storage Temperature | | -40 | | 85 | °C |
| Operating Case Temperature | Tc | 0 | | 70 | °C |

Systems

| Parameter | Media |
|--|---|
| 10 Gb/s line speed, full duplex Bit error rate: better than 10E-12 | Hot-pluggable, industry-standard Small Form-Factor Pluggable (SFP+) copper cable, available up to 7m. |

Pin Descriptions

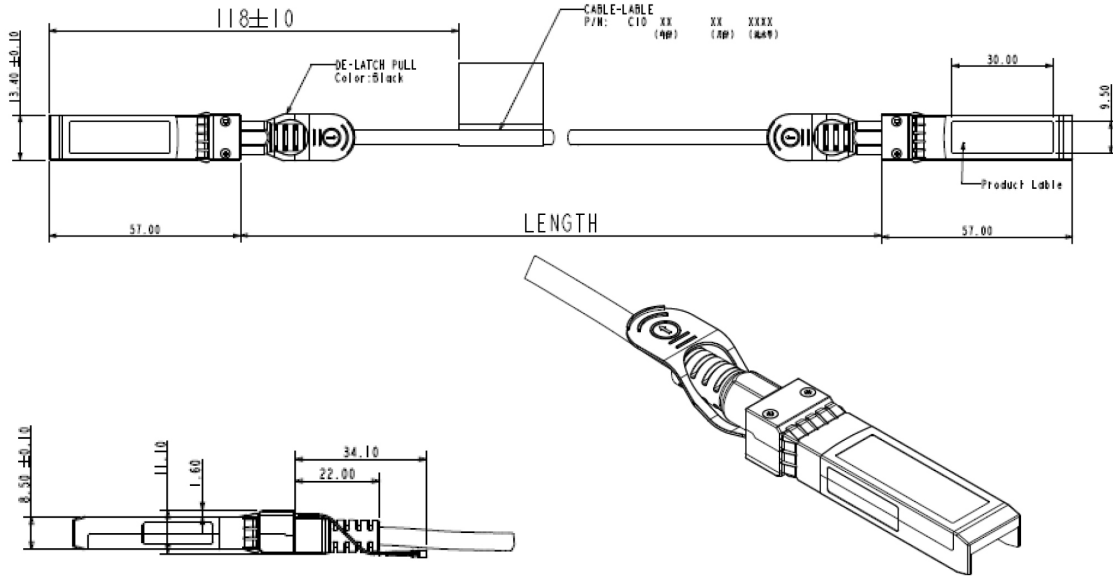
| Pin | Logic | Symbol | Name/Description | Notes |
|-----|------------|----------|---------------------------------|-------|
| 1 | | VeeT | Transmitter Ground | |
| 2 | LV-TTL-O | TX_Fault | N/A | 1 |
| 3 | LV-TTL-I | TX_DIS | Transmitter Disable | 2 |
| 4 | LV-TTL-I/O | SDA | Tow Wire Serial Data | |
| 5 | LV-TTL-I | SCL | Tow Wire Serial Clock | |
| 6 | | MOD_DEF0 | Module present, connect to VeeT | |
| 7 | LV-TTL-I | RS0 | N/A | 1 |
| 8 | LV-TTL-O | LOS | LOS of Signal | 2 |
| 9 | LV-TTL-I | RS1 | N/A | 1 |
| 10 | | VeeR | Receiver Ground | |
| 11 | | VeeR | Receiver Ground | |
| 12 | CML-O | RD- | Receiver Data Inverted | |
| 13 | CML-O | RD+ | Receiver Data Non-inverted | |
| 14 | | VeeR | Receiver Ground | |
| 15 | | VccR | Receiver Supply 3.3V | |
| 16 | | VccT | Transmitter Supply 3.3V | |
| 17 | | VeeT | Transmitter Ground | |
| 18 | CML-I | TD+ | Transmitter Data Non-Inverted | |
| 19 | CML_I | TD- | Transmitter Data Inverted | |
| 20 | | VeeT | Transmitter Ground | |

Notes:

1. Signals not supported in SFP+ Copper pulled-down to VeeT with 30K ohms resistor

2. Passive Cable assemblies do not support LOS and TX_DIS

Mechanical Specification



About AddOn Networks

In 1999, AddOn Networks entered the market with a single product. Our founders fulfilled a severe shortage for compatible, cost-effective optical transceivers that compete at the same performance levels as leading OEM manufacturers. Adhering to the idea of redefining service and product quality not previously had in the fiber optic networking industry, AddOn invested resources in solution design, production, fulfillment, and global support.

Combining one of the most extensive and stringent testing processes in the industry, an exceptional free tech support center, and a consistent roll-out of innovative technologies, AddOn has continually set industry standards of quality and reliability throughout its history.

Reliability is the cornerstone of any optical fiber network and is engrained in AddOn's DNA. It has played a key role in nurturing the long-term relationships developed over the years with customers. AddOn remains committed to exceeding industry standards with certifications from ranging from NEBS Level 3 to ISO 9001:2005 with every new development while maintaining the signature reliability of its products.

U.S. Headquarters

Email: sales@addonnetworks.com

Telephone: +1 877.292.1701

Fax: 949.266.9273

Europe Headquarters

Email: salesupportemea@addonnetworks.com

Telephone: +44 1285 842070