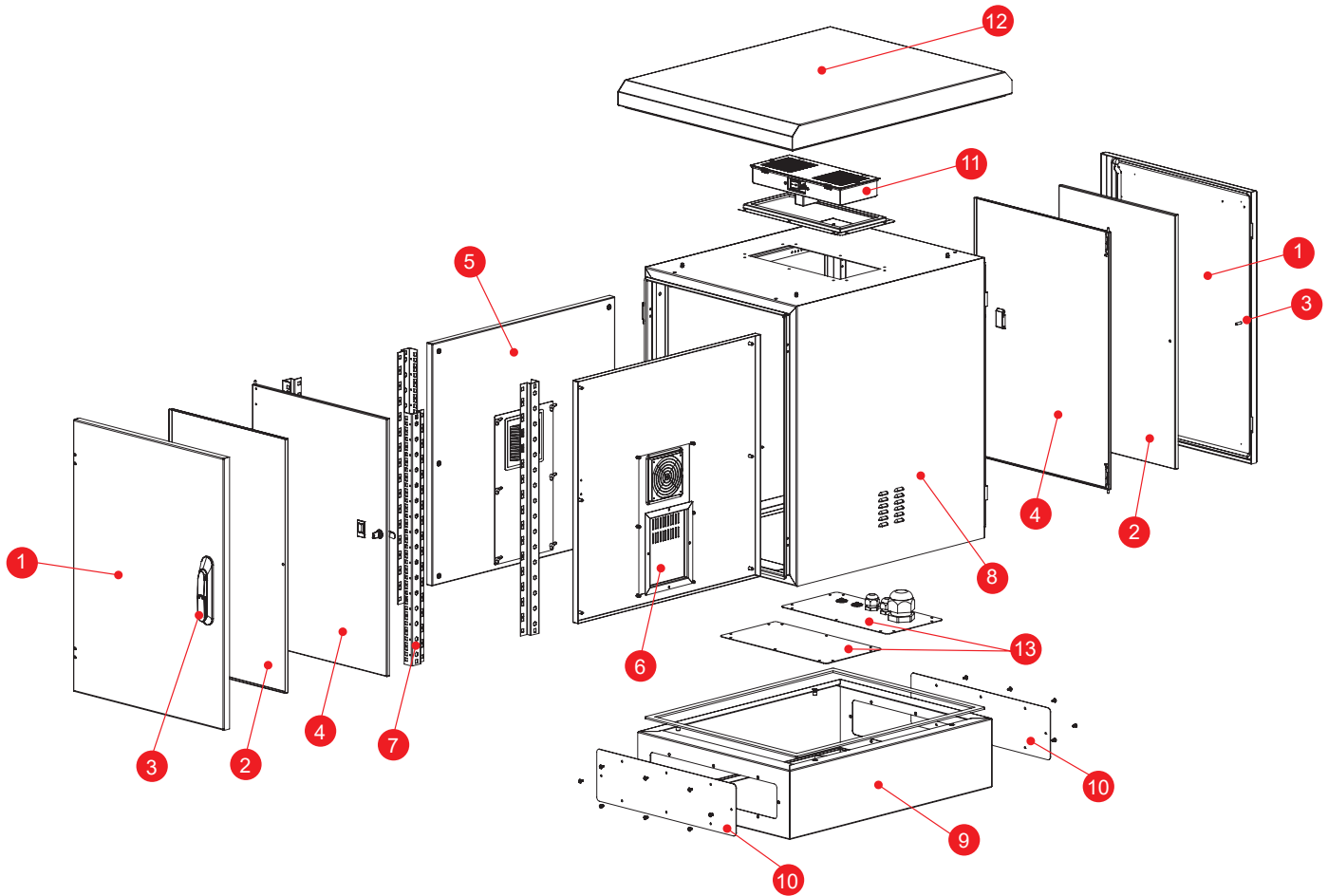


# 19" IP65 Outdoor Cabinet

Width: 600 mm  
Depth: 800 mm

## Construction Drawings

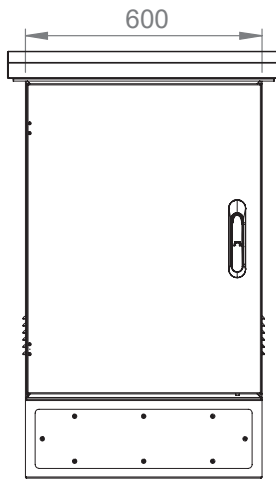


NO	DEFINITION	QTY	ZN	AISI 430	AISI 304	AISI 316L	t:mm
			MATERIAL ZN 275 gr/m <sup>2</sup>	Material AISI 430 Grade Stainless steel	Material AISI 304 Grade Stainless steel	Material AISI 316L Grade Stainless steel	THICKNESS (mm)
1	FRONT & REAR DOOR EXTERNAL SKIN	2	DX51 D + Z275gr/m <sup>2</sup>	AISI 430 Grade Stainless Steel	AISI 304 Grade Stainless Steel	AISI 316L Grade Stainless Steel	2
2	FRONT & REAR DOOR INNER SKIN	2	DX51 D + Z275gr/m <sup>2</sup>	AISI 430 Grade Stainless Steel	AISI 304 Grade Stainless Steel	AISI 316L Grade Stainless Steel	2
3	LOCKING SYSTEM 3 POINT WK2 Antivandalism Certified	2	ABS Fixing Points- Galvanized Mild Steel Locking Rods	ABS Fixing Points- Galvanized Mild Steel Locking Rods	ABS Fixing Points- Galvanized Mild Steel Locking Rods	ABS Fixing Points- Galvanized Mild Steel Locking Rods	-
4	FRONT & REAR INTERNAL COVER DOOR	2	DX51 D + Z275gr/m <sup>2</sup>	AISI 430 Grade Stainless Steel	AISI 304 Grade Stainless Steel	AISI 316L Grade Stainless Steel	1,5
5	SIDE INNER SKIN	2	DX51 D + Z275gr/m <sup>2</sup>	AISI 430 Grade Stainless Steel	AISI 304 Grade Stainless Steel	AISI 316L Grade Stainless Steel	1
6	VENTILATION CHANNEL	2	DX51 D + Z275gr/m <sup>2</sup>	AISI 430 Grade Stainless Steel	AISI 304 Grade Stainless Steel	AISI 316L Grade Stainless Steel	1
7	MOUNTING RAILS 19"	4	DC01-6112 Zinc Plated	AISI 430 Grade Stainless Steel	AISI 304 Grade Stainless Steel	AISI 316L Grade Stainless Steel	1,5
8	MAIN BODY WELDED	1	DX51 D + Z275gr/m <sup>2</sup>	AISI 430 Grade Stainless Steel	AISI 304 Grade Stainless Steel	AISI 316L Grade Stainless Steel	2
9	PLINTH H200mm	1	DX51 D + Z275gr/m <sup>2</sup>	AISI 430 Grade Stainless Steel	AISI 304 Grade Stainless Steel	AISI 316L Grade Stainless Steel	2
10	PLINTH ACCESS WINDOW	1	DX51 D + Z275gr/m <sup>2</sup>	AISI 430 Grade Stainless Steel	AISI 304 Grade Stainless Steel	AISI 316L Grade Stainless Steel	1,5
11	FAN UNIT HOUSING	1	DC01-6112 standard Painted	DC01-6112 standard Painted	DC01-6112 standard Painted	DC01-6112 standard Painted	1
12	ROOF CANOPY- 4 INCLINED INNER FIXING SCREWS- NO HINGE / NO CANOPY STOPPER INTEGRATED	1	DX51 D + Z275gr/m <sup>2</sup>	AISI 430 Grade Stainless Steel	AISI 304 Grade Stainless Steel	AISI 316L Grade Stainless Steel	1,5
13	GLAND PLATE WITH PG GLANDS	1	DX51 D + Z275gr/m <sup>2</sup>	AISI 430 Grade Stainless Steel	AISI 304 Grade Stainless Steel	AISI 316L Grade Stainless Steel	1,5
	GLAND PLATE PLAIN	1					

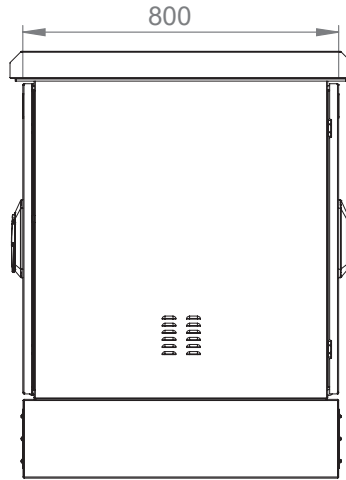
# 19" IP65 Outdoor Cabinet

Width: 600 mm  
Depth: 800 mm

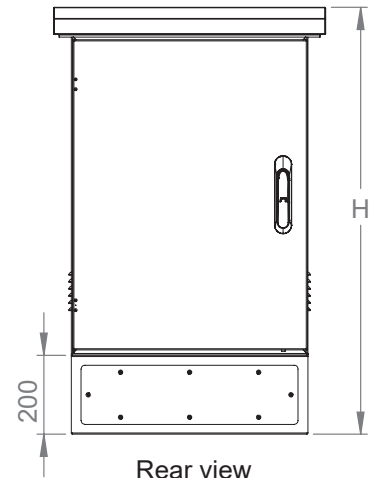
## Construction Drawings



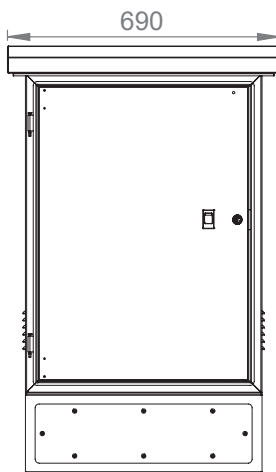
Front view



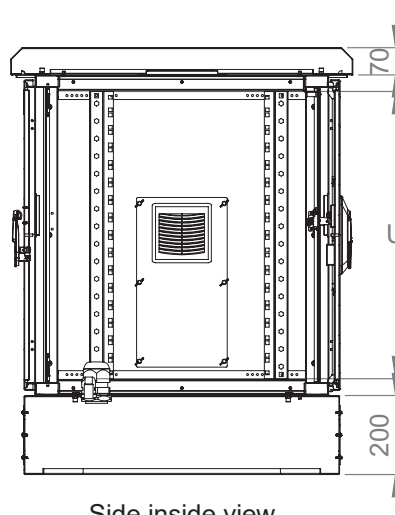
Side view



Rear view

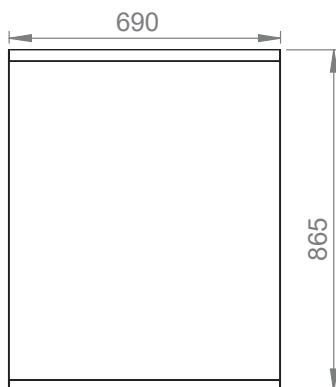


Front inside view

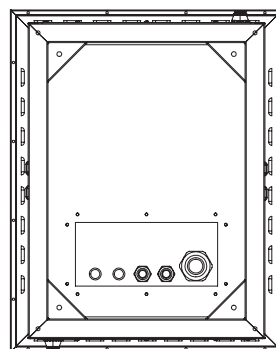


Side inside view

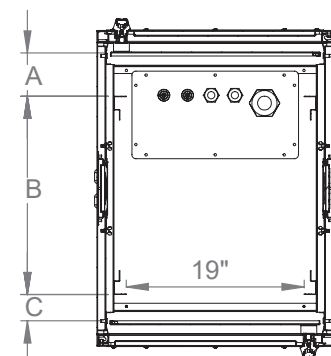
U	H
9U	769 mm
12U	902 mm
16U	1080 mm
20U	1258 mm
22U	1302 mm
24U	1434 mm
26U	1524 mm



Top view



Bottom view



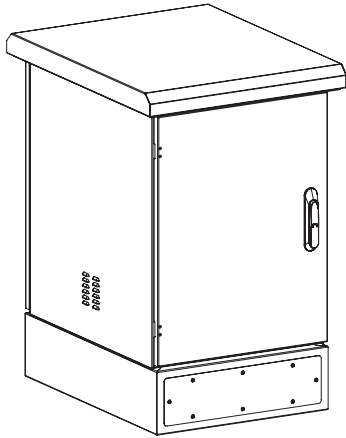
Top inside view

	Min	Max
A	35 mm	160 mm
B	370 mm	620 mm
C	35 mm	160 mm

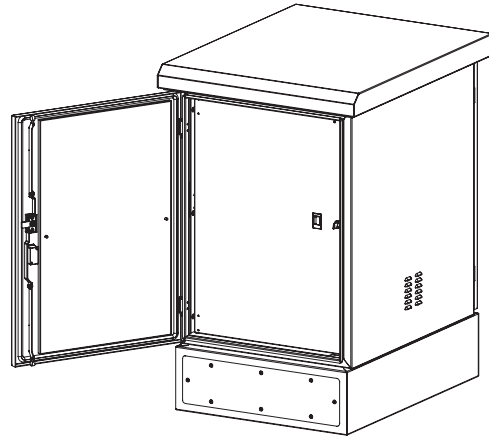
# 19" IP65 Outdoor Cabinet

Width: 600 mm  
Depth: 800 mm

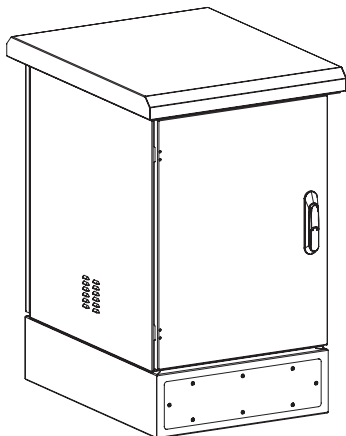
## Additional Conceptual Isometric Views



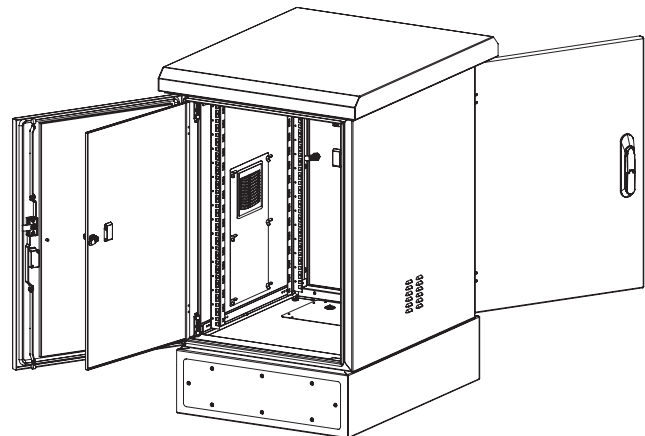
Front door closed  
isometric view



Front door open inner door  
is closed isometric view



Rear door closed  
isometric view



Front door open inner door open,  
rear door open isometric view

### 19" IP65 Outdoor Cabinet W=600 mm D=800 mm

Part Nr	U Height	H (mm) Cabinet (Included 200 mm Plinth Height)	Width (mm)	Depth (mm)
LN-OD-09U6080-LG-MTRL	9U	769	600	800
LN-OD-12U6080-LG-MTRL	12U	902	600	800
LN-OD-16U6080-LG-MTRL	16U	1080	600	800
LN-OD-20U6080-LG-MTRL	20U	1258	600	800
LN-OD-22U6080-LG-MTRL	22U	1302	600	800
LN-OD-24U6080-LG-MTRL	24U	1434	600	800
LN-OD-26U6080-LG-MTRL	26U	1524	600	800

#### MTRL is material selection code which customers to indicate while ordering

MTRL: Replace code with Z275 for DX51 D + 275gr/m<sup>2</sup> hot dip galvanized zinc coating. (No corrosion warranty.)

MTRL: Replace code with A430 for AISI 430 grade stainless steel. (Limited corrosion warranty up to 2-3 years.)

MTRL: Replace code with A304 for AISI 304 grade stainless steel. (Limited corrosion warranty up to 3-5 years.)

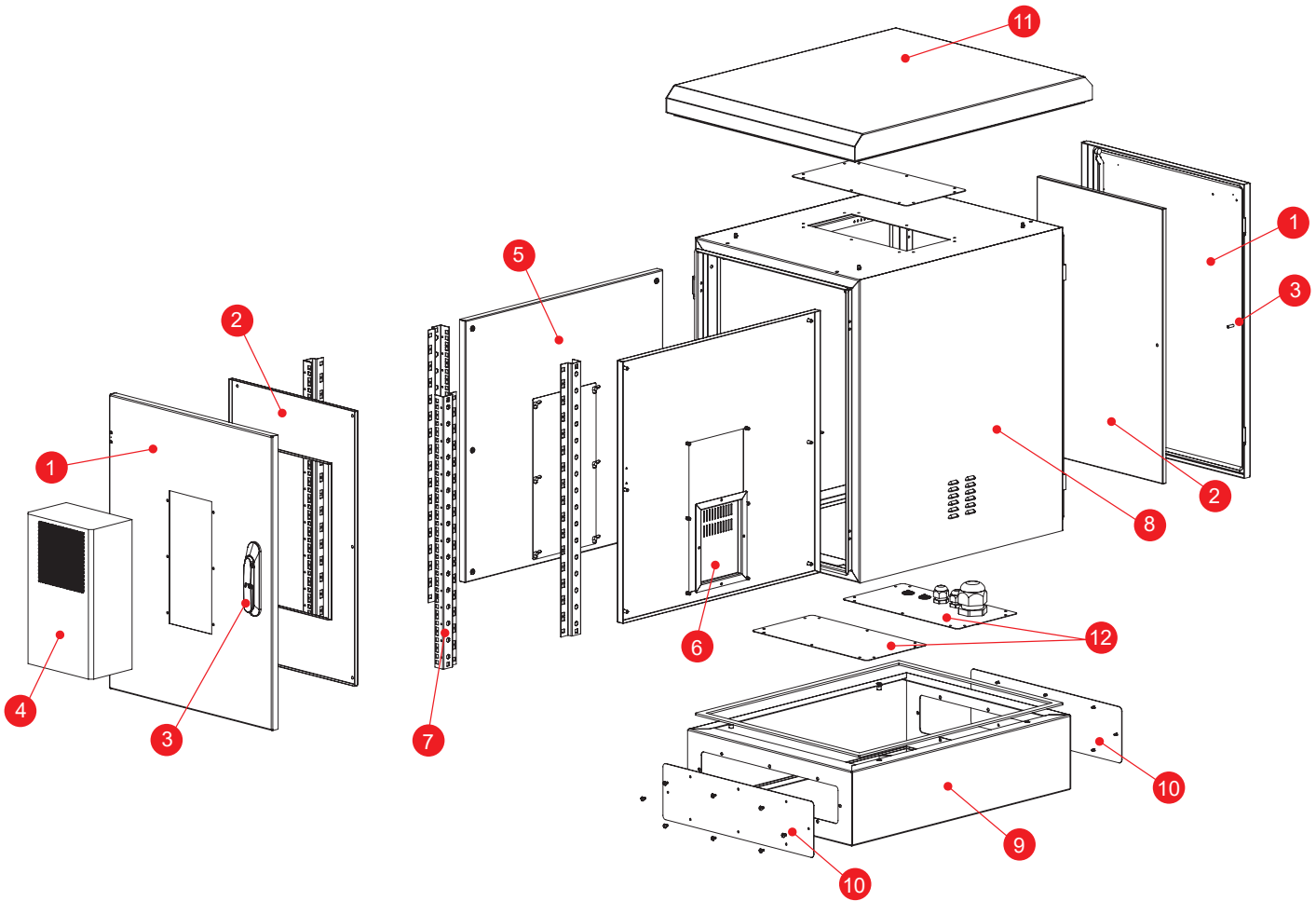
MTRL: Replace code with A316 for AISI 316L grade stainless steel. (Corrosion warranty up to 5-10 years.)

LG: Standard Color is RAL 7035 Light Grey which is registered in the part number as LG, if Signal White RAL 9003 is required which has a better performance against UV impact Insulpaint and Antigrafiti option as a Polyurethane finish replace the LG with SW.

# 19" IP65 Outdoor Cabinet

Width: 600 mm  
Depth: 800 mm

Air Condition / Heat Exchanger Integration  
Example on a IP65 Cabinet

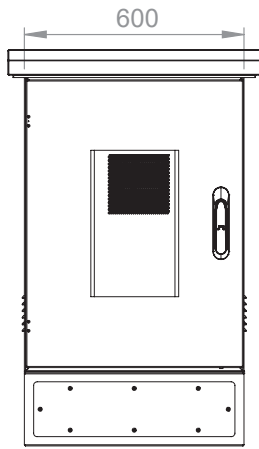


NO	DEFINITION	QTY	ZN	AISI 430	AISI 304	AISI 316L	t:mm
			MATERIAL ZN 275 gr/m <sup>2</sup>	Material AISI 430 Grade Stainless steel	Material AISI 304 Grade Stainless steel	Material AISI 316L Grade Stainless steel	THICKNESS (mm)
1	FRONT & REAR DOOR EXTERNAL SKIN	2	DX51 D + Z275gr/m <sup>2</sup>	AISI 430 Grade Stainless Steel	AISI 304 Grade Stainless Steel	AISI 316L Grade Stainless Steel	2
2	FRONT & REAR DOOR INNER SKIN	2	DX51 D + Z275gr/m <sup>2</sup>	AISI 430 Grade Stainless Steel	AISI 304 Grade Stainless Steel	AISI 316L Grade Stainless Steel	2
3	LOCKING SYSTEM 3 POINT WK2 Antivandalism Certified	2	ABS Fixing Points- Galvanized Mild Steel Locking Rods	ABS Fixing Points- Galvanized Mild Steel Locking Rods	ABS Fixing Points- Galvanized Mild Steel Locking Rods	ABS Fixing Points- Galvanized Mild Steel Locking Rods	-
4	AIR CONDITIONER	1	DX51 D + Z275gr/m <sup>2</sup>	DX51 D + Z275gr/m <sup>2</sup>	DX51 D + Z275gr/m <sup>2</sup>	DX51 D + Z275gr/m <sup>2</sup>	1
5	SIDE INNER SKIN	2	DX51 D + Z275gr/m <sup>2</sup>	AISI 430 Grade Stainless Steel	AISI 304 Grade Stainless Steel	AISI 316L Grade Stainless Steel	1
6	VENTILATION CHANNEL	2	DX51 D + Z275gr/m <sup>2</sup>	AISI 430 Grade Stainless Steel	AISI 304 Grade Stainless Steel	AISI 316L Grade Stainless Steel	1
7	MOUNTING RAILS 19"	4	DC01-6112 Zinc Plated	AISI 430 Grade Stainless Steel	AISI 304 Grade Stainless Steel	AISI 316L Grade Stainless Steel	1,5
8	MAIN BODY WELDED	1	DX51 D + Z275gr/m <sup>2</sup>	AISI 430 Grade Stainless Steel	AISI 304 Grade Stainless Steel	AISI 316L Grade Stainless Steel	2
9	PLINTH H200mm	1	DX51 D + Z275gr/m <sup>2</sup>	AISI 430 Grade Stainless Steel	AISI 304 Grade Stainless Steel	AISI 316L Grade Stainless Steel	2
10	PLINTH ACCESS WINDOW	1	DX51 D + Z275gr/m <sup>2</sup>	AISI 430 Grade Stainless Steel	AISI 304 Grade Stainless Steel	AISI 316L Grade Stainless Steel	1,5
11	ROOF CANOPY- 4 INCLINED INNER FIXING SCREWS- NO HINGE / NO CANOPY STOPPER INTEGRATED	1	DX51 D + Z275gr/m <sup>2</sup>	AISI 430 Grade Stainless Steel	AISI 304 Grade Stainless Steel	AISI 316L Grade Stainless Steel	1,5
12	GLAND PLATE WITH PG GLANDS	1	DX51 D + Z275gr/m <sup>2</sup>	AISI 430 Grade Stainless Steel	AISI 304 Grade Stainless Steel	AISI 316L Grade Stainless Steel	1,5
	GLAND PLATE PLAIN	1					

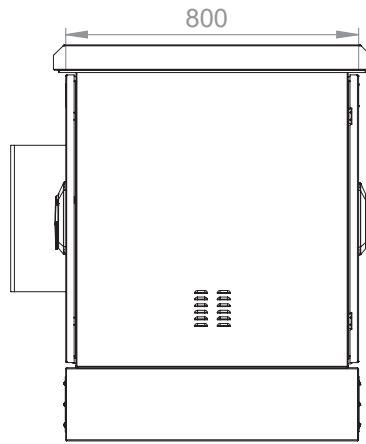
# 19" IP65 Outdoor Cabinet

Width: 600 mm  
Depth: 800 mm

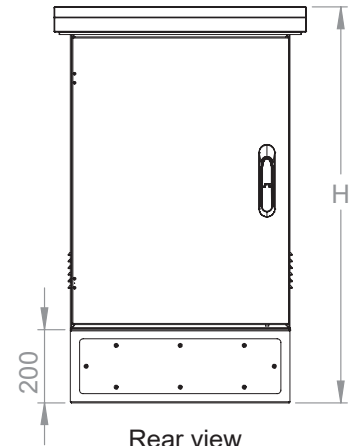
Air Condition / Heat Exchanger Integration  
Example on a IP65 Cabinet



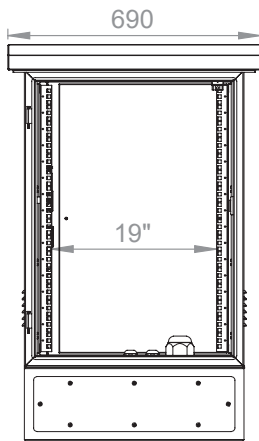
Front view



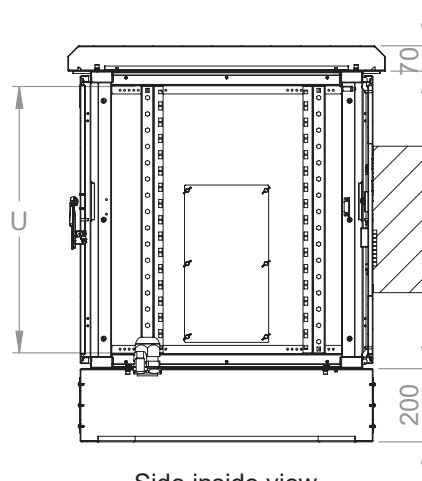
Side view



Rear view

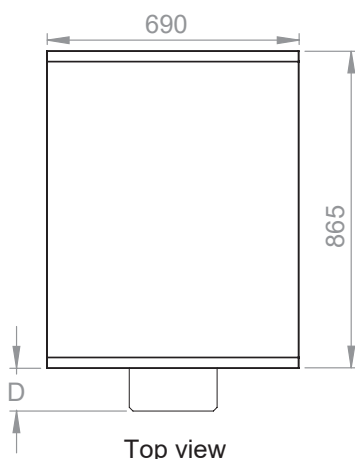


Front inside view

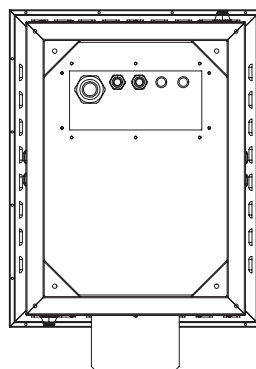


Side inside view

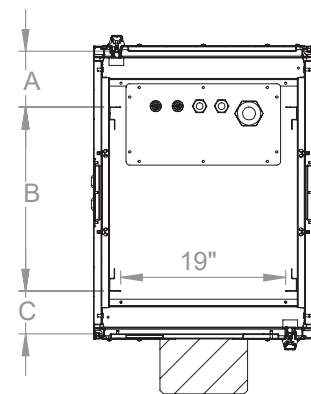
U	H
9U	769 mm
12U	902 mm
16U	1080 mm
20U	1258 mm
22U	1302 mm
24U	1434 mm
26U	1524 mm



Top view



Bottom view



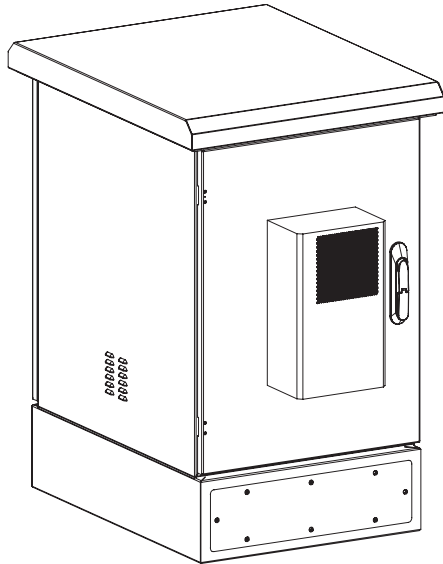
Top inside view

	Min	Max
A	80 mm	205 mm
B	370 mm	620 mm
C	80 mm	205 mm

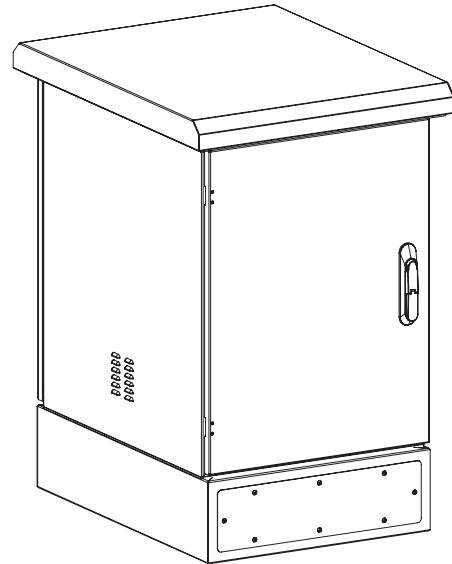
# 19" IP65 Outdoor Cabinet

Width: 600 mm  
Depth: 800 mm

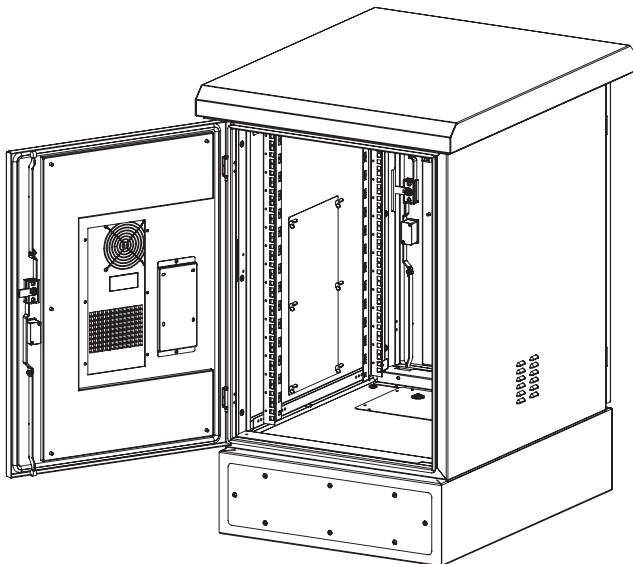
Air Condition / Heat Exchanger Integration  
Example on a IP65 Cabinet



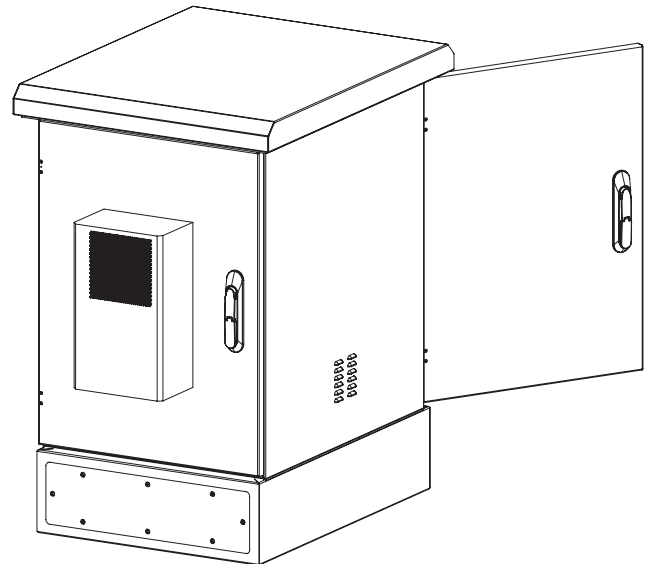
Front door closed  
isometric view



Rear door closed  
isometric view



Front door open  
isometric view



Rear door open  
isometric view