

19" SAFEBOX-B IP55 Outdoor Cabinets



19" SAFEBOX-B IP55

Outdoor Single Skin Cabinets

The SAFEBOX-B IP55 Outdoor Cabinets are designed for industrial applications. Based on EN 60529 provided IP55 protection class against dust and water ingress. With fan and filter integration, enclosure provides IP54 protection against dust and water. Enclosure provides protection against extraneous objects (things that might fall in, dust carried by wind) and water (rain, slush, snow, bluish) which might damage the internal equipment.

Features

- Monoblock welded construction, with polyester type powder coating which is RAL 7035 Light Grey colour.
- 7U and 9U models contain single point turn locking system and 12U and 16U models contain a double single point turn locking system. The lock systems accommodate a central cylinder lock which unlocks with a cylindrical key.
- Shipping configuration accommodates 2 pieces 1 set 19" equipment mounting rails.
- The base of the cabinet is equipped with a filtered air inlet and 4 x PG21 cable entry compatible blind plugs. Top part is filtered for passive ventilation and hot air exhaust. If required, the filters can be replaced with fan or a thermostat switched single fan can be included to shipment as an accessory. Model also contains a roof canopy with gasket for dust and liquid protection.
- Wall mounting brackets are included, as mounting applications vary wall mounting screws are not in the shipping configuration because they can vary depending on the mounting area. Single yellow/green cable for grounding between main body and front door is included.
- Metal front door with polyurethane sealing gasket provides EN 60529 IP54/IP55 class protection. IP class can be upgraded to IP66 by replacing fan ventilation slots with cover plates to seal ventilation cut outs.
- Maximum load capacity is 300 kgs on the wall and 800 kgs on the ground.
- As an option the cabinet can be floor mounted by using a plinth. If required, pole mounting kit can be ordered for 4-6" diameter poles.
- Manufactured in width W: 600 mm; depth D:300 mm / 450 mm / 600 mm; height H: 7U-9U-12U-16U.
- An internal rear mounting plate can be purchased as an optional extra for mounting industrial or electrical equipments when 19" mounting is not required. This accessory is available for standard shipment configuration, not available for double skin cabinets.
- Manufactured with single and double skin options.

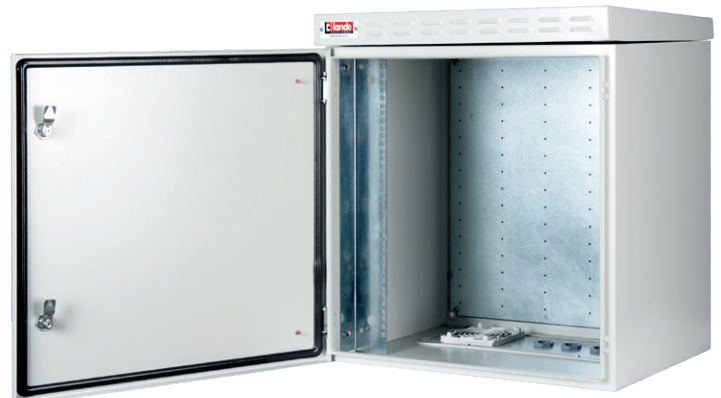
Standards

- ISO 9001
- TSE: EN 61587-1 mechanical structures for electronic equipment - Tests for IEC 60917 and IEC 60297 series
- Climatic and environment: EN 61587-1/4.2, IEC 60068-2-1, IEC 60068-2-2, IEC 60068-2-30
- Static mechanical load lifting: EN 61587-1/5.2.1
- Static mechanical load stiffness: EN 61587-1/5.2.2
- Dynamic mechanical load vibration and shock, impact: EN 61587-1/5.3.1, EN 61587-1/5.3.3, IEC 60068-2-6, IEC 60068-2-27
- Earth bond: EN 61587-1/6.2
- Flammability: EN 61587-1/6.3
- IP protection class (IP code): IP55, EN 61587-1/6.4 and EN 60529
- IK protection class (IK code): IK10; EN 62262

Standard Color:



RAL 7035 Light Grey



19" SAFEBOX-B IP55

Outdoor Single Skin Cabinets

SAFEBOX-B IP55 Outdoor Single Skin Cabinets W:600 mm D:450 mm

Product Number	Series	Description	Width (mm)	Depth (mm)	Height (mm)	Cable Entry (QTY)	Lock (QTY)
LN-ESO-IP5507U6045-LG	SAFEBOX-B Series	7U 19" Outdoor Single Skin SAFEBOX-B IP55 Wall Mounting Cabinet W=600 mm D=450 mm	600	450	378	4	1
LN-ESO-IP5509U6045-LG	SAFEBOX-B Series	9U 19" Outdoor Single Skin SAFEBOX-B IP55 Wall Mounting Cabinet W=600 mm D=450 mm	600	450	467	4	1
LN-ESO-IP5512U6045-LG	SAFEBOX-B Series	12U 19" Outdoor Single Skin SAFEBOX-B IP55 Wall Mounting Cabinet W=600 mm D=450 mm	600	450	600	4	2
LN-ESO-IP5516U6045-LG	SAFEBOX-B Series	16U 19" Outdoor Single Skin SAFEBOX-B IP55 Wall Mounting Cabinet W=600 mm D=450 mm	600	450	779	4	2

SAFEBOX-B IP55 Outdoor Single Skin Cabinets W:600 mm D:600 mm

Product Number	Series	Description	Width (mm)	Depth (mm)	Height (mm)	Cable Entry (QTY)	Lock (QTY)
LN-ESO-IP5507U6060-LG	SAFEBOX-B Series	7U 19" Outdoor Single Skin SAFEBOX-B IP55 Wall Mounting Cabinet W=600 mm D=600 mm	600	600	378	4	1
LN-ESO-IP5509U6060-LG	SAFEBOX-B Series	9U 19" Outdoor Single Skin SAFEBOX-B IP55 Wall Mounting Cabinet W=600 mm D=600 mm	600	600	467	4	1
LN-ESO-IP5512U6060-LG	SAFEBOX-B Series	12U 19" Outdoor Single Skin SAFEBOX-B IP55 Wall Mounting Cabinet W=600 mm D=600 mm	600	600	600	4	2
LN-ESO-IP5516U6060-LG	SAFEBOX-B Series	16U 19" Outdoor Single Skin SAFEBOX-B IP55 Wall Mounting Cabinet W=600 mm D=600 mm	600	600	779	4	2

Thermostat Switched Analog Fan Module - 220 V AC

Product Number	Series	Description	Dimensions WxDxH mm
LN-FAN-THM-1FSBE-LG	Accessory	Thermostat switched single fan module for SAFEBOX-B wall mounting cabinets, filtered	495x175x50
LN-FAN-THM-2FSBE-LG	Accessory	Thermostat switched double fan module for SAFEBOX-B wall mounting cabinets, filtered	495x175x50

Ground Applications - H:100 mm Plinth

Product Number	Series	Description	Dimensions WxDxH mm
LN-ESO-PL-KIT-ZN	Accessory	Pole Mounting Kit, for 4-6" diameter poles, galvanized	598x204x80
LN-PLNTH-D45-LG	Accessory	Plinth H100mm W600xD450mm for SAFEBOX-B cabinets RAL 7035 Light Grey	600x450x100
LN-PLNTH-D60-LG	Accessory	Plinth H100mm W600xD600mm for SAFEBOX-B cabinets RAL 7035 Light Grey	600x600x100

Mounting Plates for SAFEBOX-B IP55 Outdoor Single Skin Cabinets

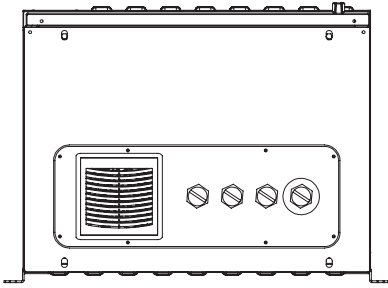
Product Number	Series	Description	Dimensions WxDxH mm
LN-TS-07U-SBE-ZN	Accessory	7U mounthing plate, for industrial equipment mounting to the back panel of SAFEBOX-B cabinet - zinc coated	t1,0mm H350 W575mm
LN-TS-09U-SBE-ZN	Accessory	9U mounthing plate, for industrial equipment mounting to the back panel of SAFEBOX-B cabinet - zinc coated	t1,0mm H440 W575mm
LN-TS-12U-SBE-ZN	Accessory	12U mounthing plate, for industrial equipment mounting to the back panel of SAFEBOX-B cabinet - zinc coated	t1,0mm H570 W575mm
LN-TS-16U-SBE-ZN	Accessory	16U mounthing plate, for industrial equipment mounting to the back panel of SAFEBOX-B cabinet - zinc coated	t1,0mm H570 W575mm

To be mounted to the back panel of the cabinet, allows industrial equipment, electrical components, DIN rails mounting.

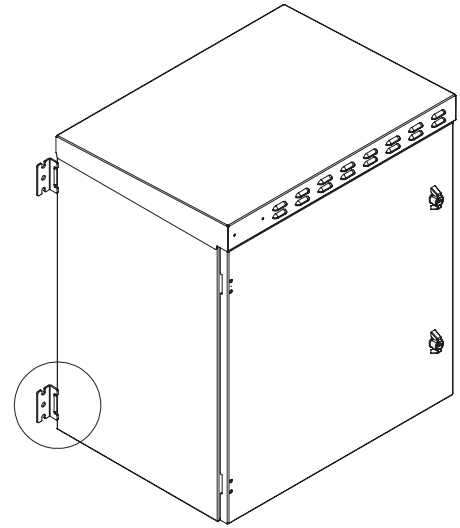
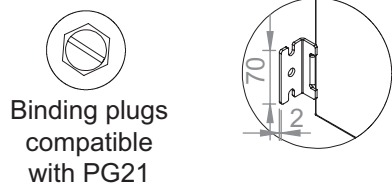
19" SAFEBOX-B IP55

Outdoor Single Skin Cabinets

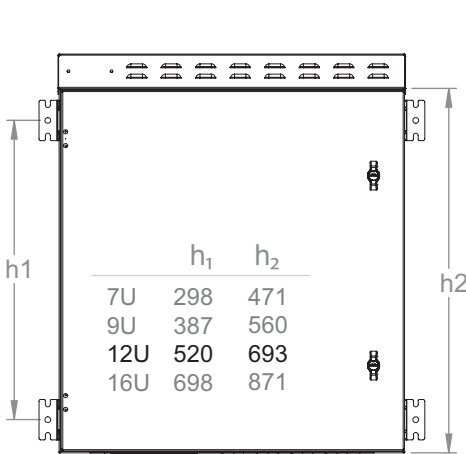
Construction Drawings



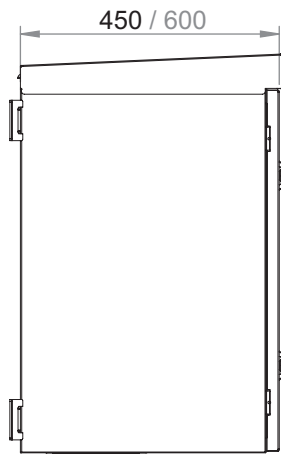
Bottom view



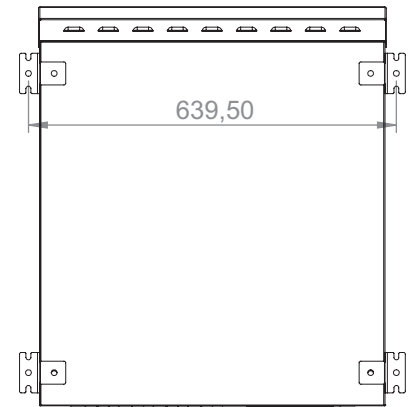
Isometric view



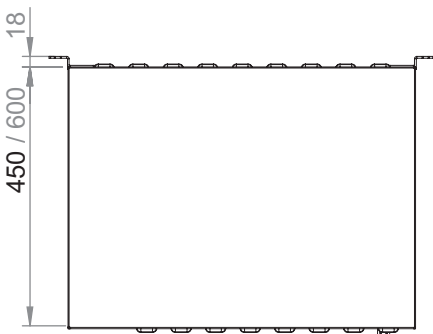
Front view



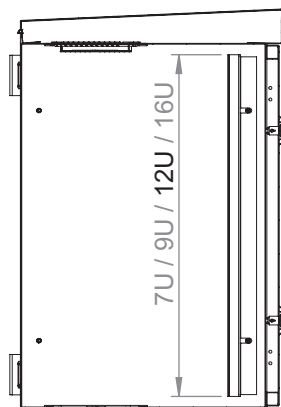
Side view



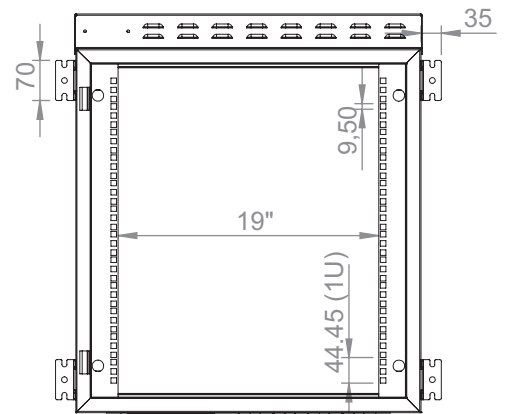
Rear view



Top view



Interior view - side

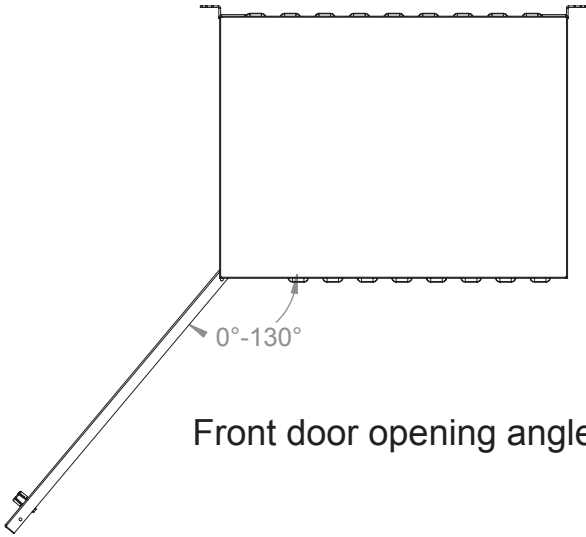


Interior view - front

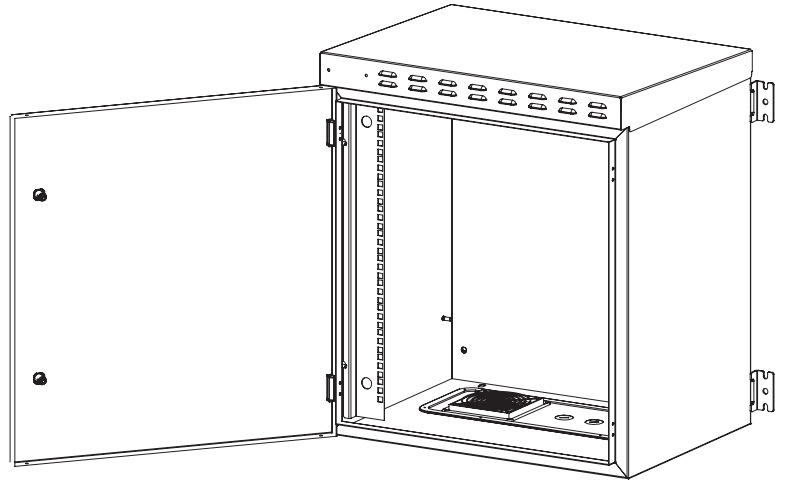
19" SAFEBOX-B IP55

Outdoor Single Skin Cabinets

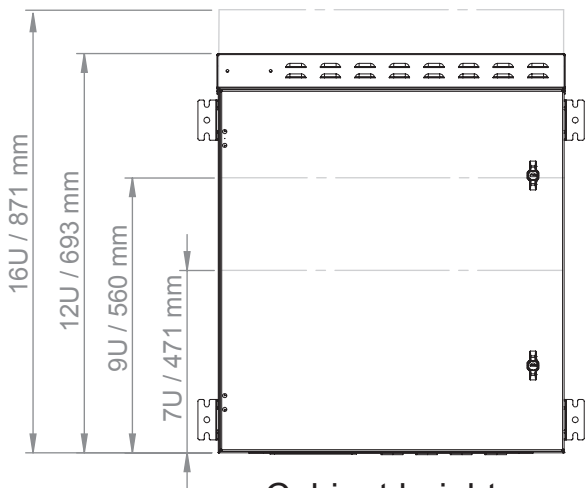
Construction Drawings



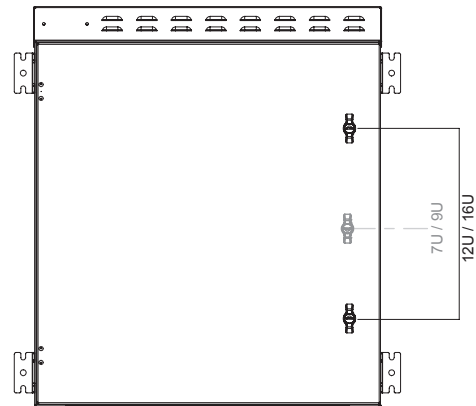
Front door opening angle



Isometric front door opened view



Cabinet heights



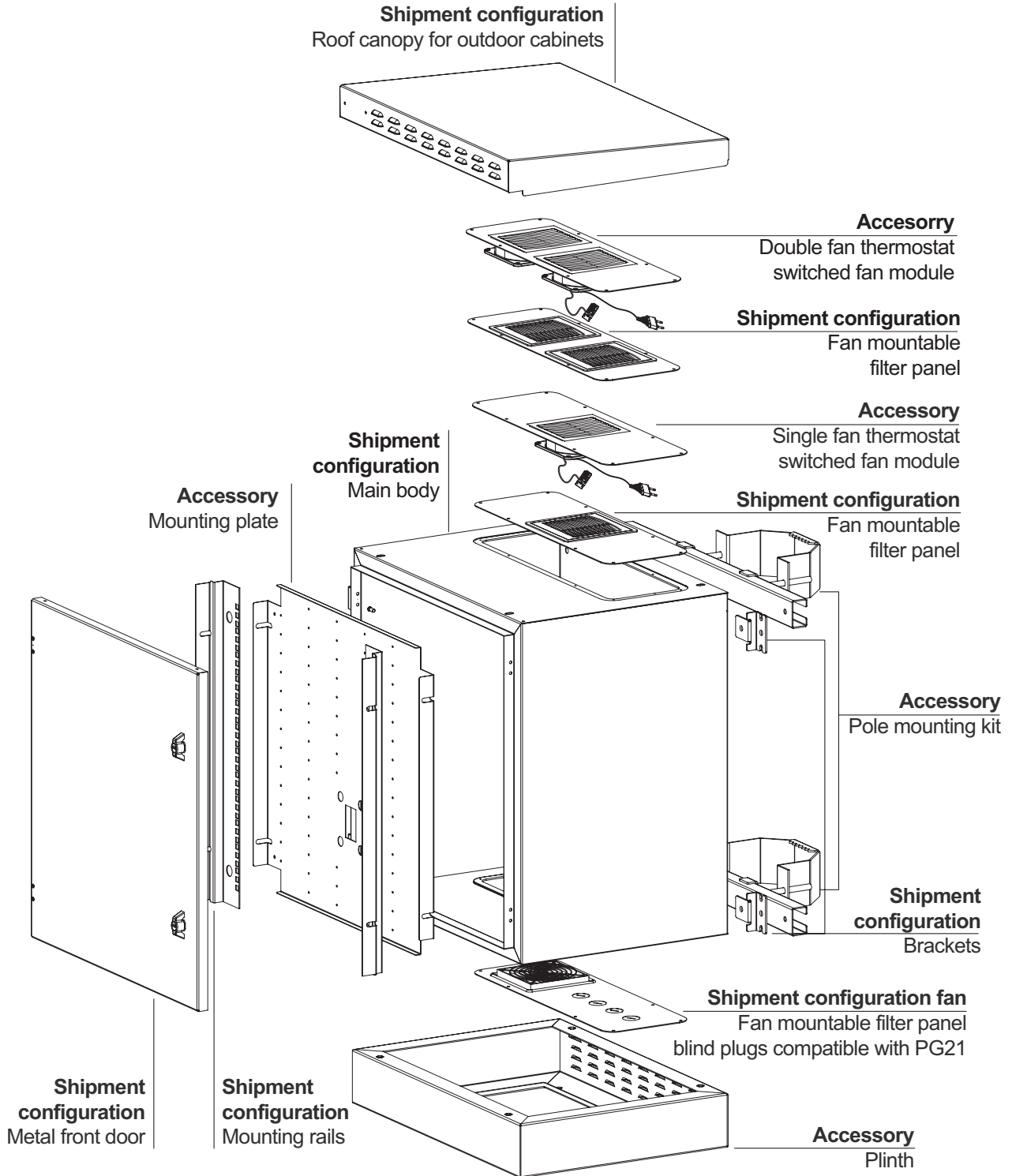
Lock quantities

19" SAFEBOX-B IP55

Outdoor Single Skin Cabinets

Construction Drawings

OUTDOOR CABINETS SHIPMENT CONFIGURATION and OPTIONAL ACCESSORIES

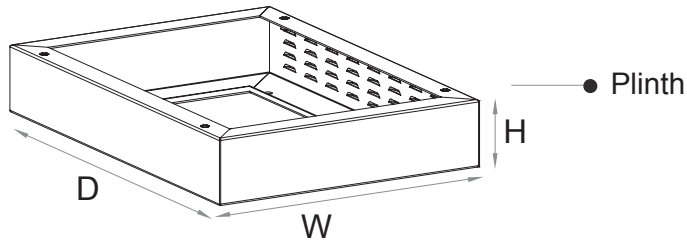


Exploded view

19" SAFEBOX-B IP55 Cabinets

Accessories

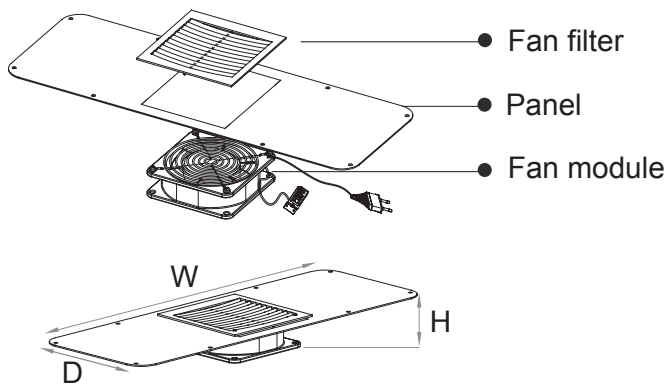
● Plinth



W x D x H mm / 600 x 450 x 100 mm
600



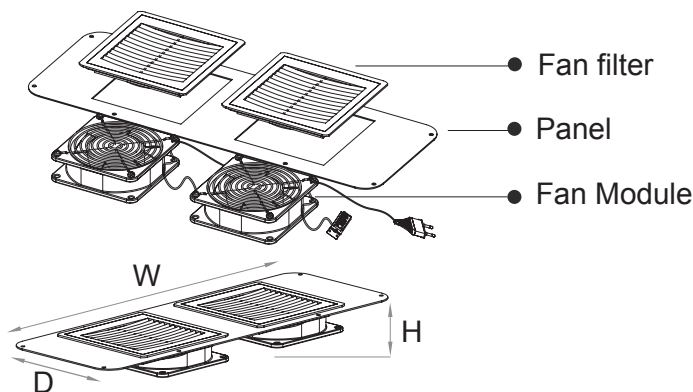
● Single fan module



W x D x H mm / 493 x 174 x 40 mm



● Double fan module



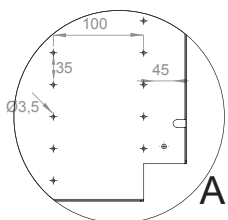
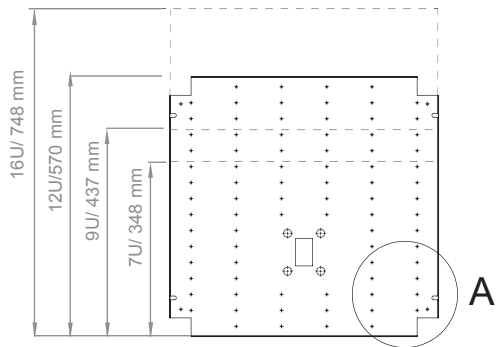
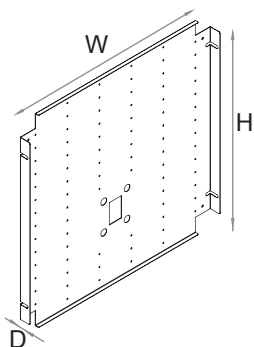
W x D x H mm / 493 x 174 x 40 mm



19" SAFEBOX-B IP55 Cabinets

Accessories

● Mounting plate

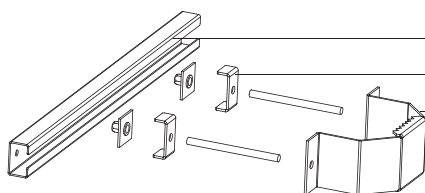


	348	7U
	437	9U
W x D x H mm / 595 x 41 x 570 mm	748	12U
		16U

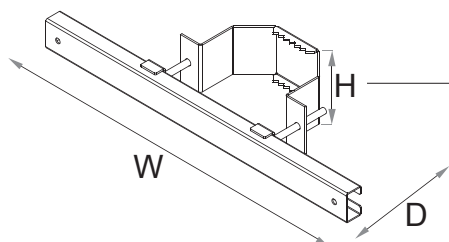
* Mounting plate is available for single skin cabinets as an accessory. For double skin cabinets, mounting plate is already available in standard configuration.



● Pole mounting kit



- Rear mounting plate
- Fittings
- Pole bracket



- Compatible with 4-6" diameter poles

W x D x H mm / 598 x 204 x 80 mm



19" SAFEBOX-B IP55 Cabinets

Logistic Information

Product Information: SAFEBOX-B IP55 Outdoor Cabinets					Logistics Details - Packaging Dimensions			
Type	Product Number	Series	U Height		Packaging Weight kgs.	Width (W) mm	Depth (D) mm	Height (H) mm
Outdoor	LN-ESO-IP5507U6045-LG	SAFEBOX-B Series	7U	450	21,00	650	500	500
Outdoor	LN-ESO-IP5509U6045-LG	SAFEBOX-B Series	9U	450	23,60	650	500	530
Outdoor	LN-ESO-IP5512U6045-LG	SAFEBOX-B Series	12U	450	27,60	650	500	700
Outdoor	LN-ESO-IP5516U6045-LG	SAFEBOX-B Series	16U	450	29,70	650	500	900
Outdoor	LN-ESO-IP5507U6060-LG	SAFEBOX-B Series	7U	600	23,51	650	670	500
Outdoor	LN-ESO-IP5509U6060-LG	SAFEBOX-B Series	9U	600	26,42	650	670	530
Outdoor	LN-ESO-IP5512U6060-LG	SAFEBOX-B Series	12U	600	30,90	650	670	700
Outdoor	LN-ESO-IP5516U6060-LG	SAFEBOX-B Series	16U	600	33,25	650	670	900



CONTACT DETAILS

Headquarters

Address:

Merve Mah. Gazi Cad. No: 17 **Phone:** +90 216 312 26 53 pbx
Sancaktepe - İstanbul / TURKEY **Fax** : +90 216 312 09 09

Factory

Address:

20. Cadde No: 14 Eskişehir **Phone:** +90 222 236 24 66 pbx
Organize San. Bölge. 26110 **Fax** : +90 222 236 13 53
Eskişehir / TURKEY

www.lande.com.tr | sales@lande.com.tr

COMTEC ▶

Phone: 01480 415000

Email sales@comtecdirect.co.uk

